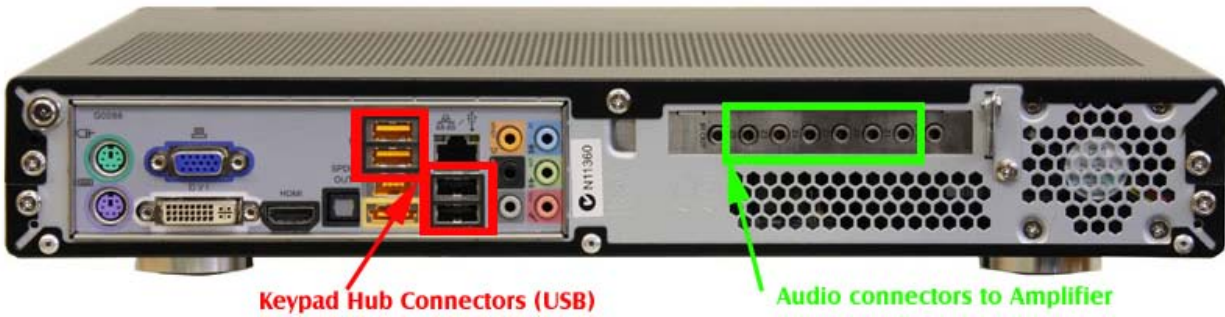


XLi, Keypads and Amplifier

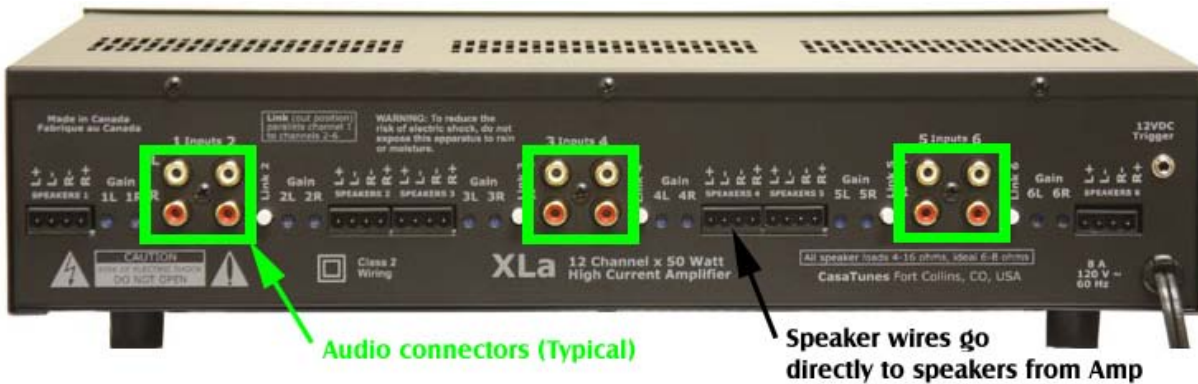
- Green: audio cables supplied with XLi with 3.5mm plugs on XLi end and RCA plugs on amplifier end.



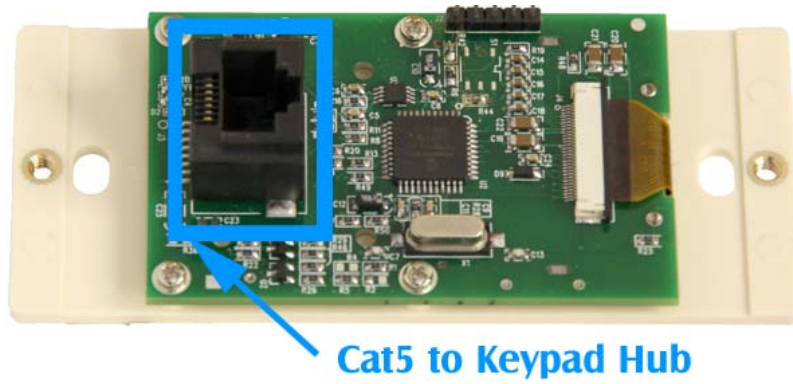
- Red: USB cable. One end plugs into PC and other end plugs into Keypad Hub.
- Blue: CAT5, 5e, 6 or higher cable. One per Keypad. One end plugs into Keypad Hub and other end plugs into Keypad.



PC with XLi installed (shown installed horizontally in our low profile XLi Music Server)

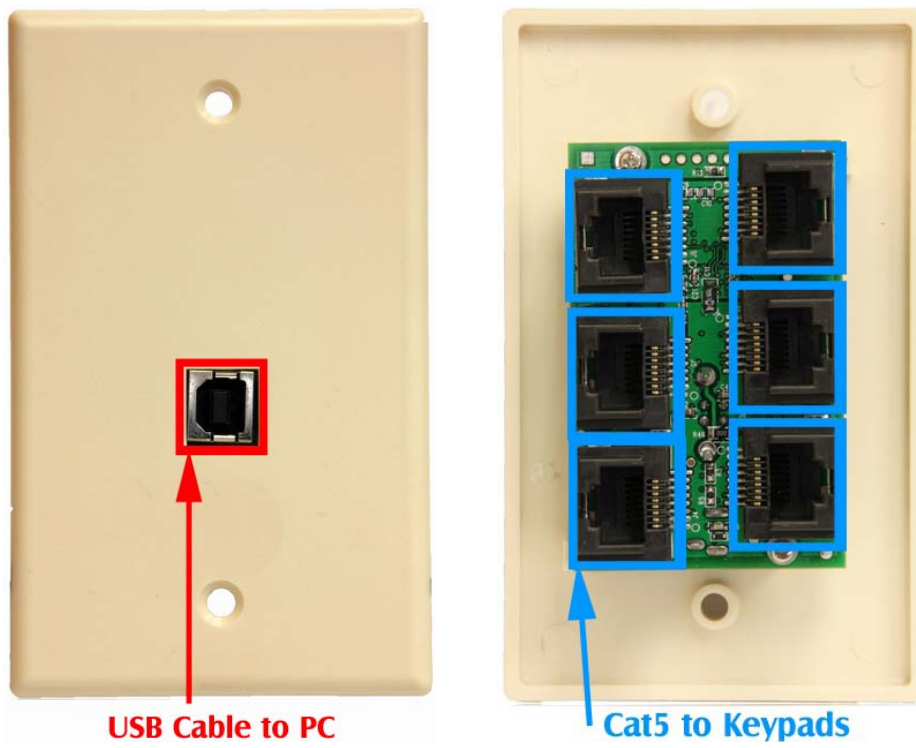


Amplifier (CasaTunes XLa shown)



Cat5 to Keypad Hub

Keypad - Back



USB Cable to PC

Cat5 to Keypads

USB Keypad Hub - Front and Back